



The B0030 Marine Loading Arm is preferred when loading/unloading sea-going tankers and its capability has been proven within many years of trouble free operation world-wide.

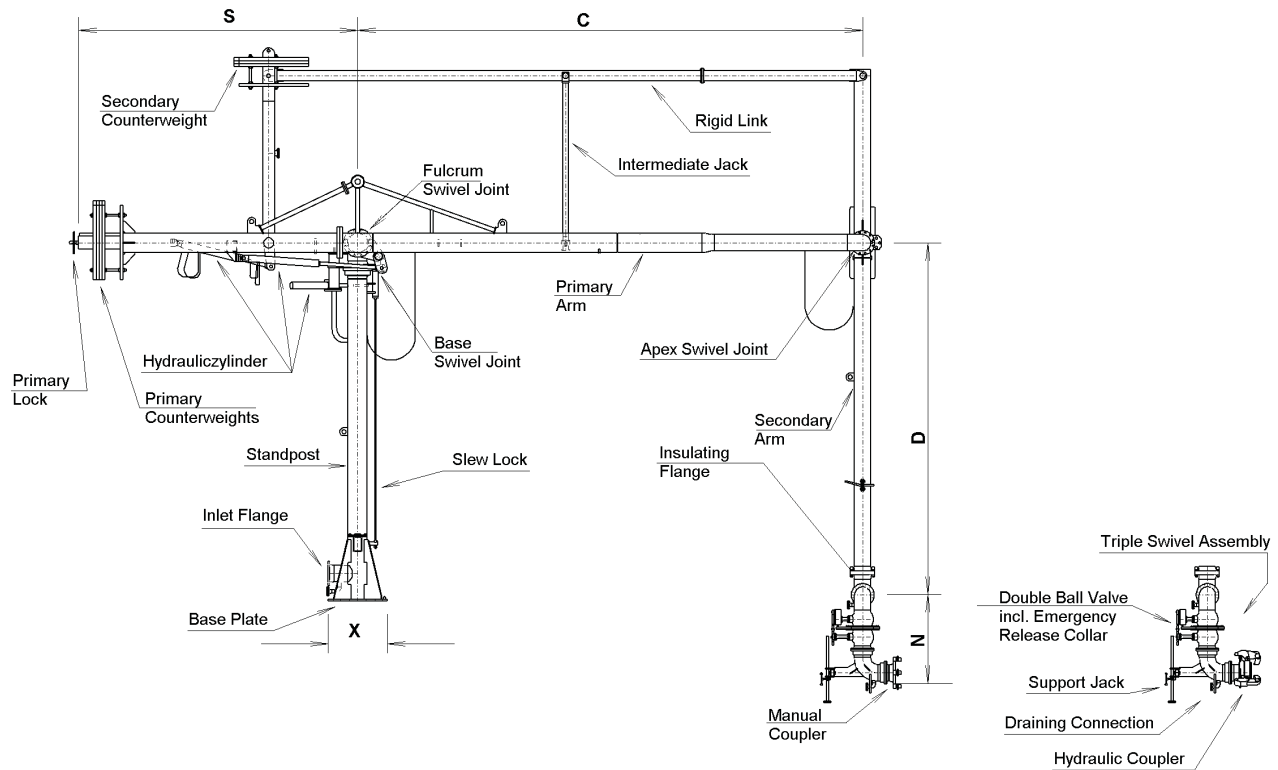
The B0030 with its self supporting design includes a rigid link pantograph system with independent counterweights directly balancing the inboard- and outboard arm. Thus providing accurate balance throughout all manoeuvring and connecting positions. The self supporting design provides not only high safety standards for easy operation but also lowest possible dock loads, which minimize dock cost.

The B0030 is available

- ◆ in sizes 4" up to 16"
- ◆ for 150 lbs or 300 lbs pressure ratings
- ◆ in materials carbon steel, low temperature steel, stainless steel
- ◆ for all products transported by barges or tankers
- ◆ for temperature range -55 °F up to +390 °F
- ◆ manually or hydraulically operated
- ◆ with various accessories

For difficult/special applications we offer engineered solutions

The advantages in comparison with hose loading facilities are ease of handling, higher flexibility, less manpower and minimum maintenance, resulting in maximum operational safety and minimum cost of ownership.



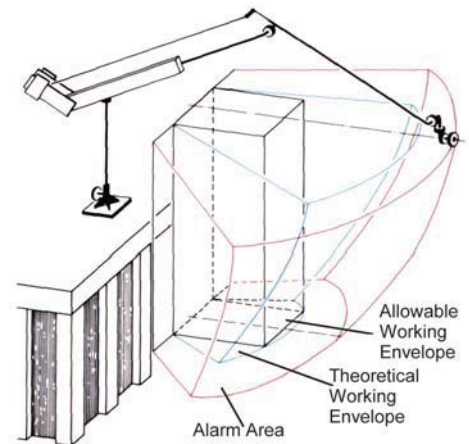
Marine Loading Arm B0030

(typical example with 3-Motion-Hydraulic & Emergency Release System)

TYPICAL DIMENSIONS, WEIGHTS AND OVERTURNING MOMENTS (without emergency release system)									
Arm Size	Riser Height ft	X ft	C ft	D ft	N ft	S ft	Flow Rate gal/min	Weight lbs	Moment Lb ft
4"	15	4	26	26	2	12	1,320	13,900	77,000
6"	15	4	26	26	2	12	2,640	14,200	78,500
8"	15	4	29.5	29.5	2.4	12	4,850	19,500	108,000
10"	20	6	33	33	3	17	7,500	26,700	172,000
12"	23	6	36	36	3.4	20	11,000	35,200	254,500
16"	23	6	36	36	4.3	20	17,500	50,000	375,000

Design:

- ◆ Fully balanced through rigid link pantograph system incl. Separate counterweights for inboard- and outboard arm
- ◆ self supporting system, providing lowest weight and bending moment for easy handling
- ◆ most convenient light weight design available world-wide
- ◆ for transfer of all products, e.g. crude oil, chemicals, liquefied gases
- ◆ available in carbon steel, low temperature steel and stainless steel
- ◆ swivel joints either welded-in or flanged
- ◆ seals available in Buna-N, Viton, PTFE or other specific seal material depending on application
- ◆ pressure rates of 150 lbs, 300 lbs or other international standards. Higher pressure rates possible
- ◆ temperature range from -55 °F (e.g. LPG) to +390 °F (e.g. Bitumen)



Typical Accessories:

Vacuum Breaker	Range Overtravel Alarms	Static Insulating Flange
Nitrogen Purge Line	Manual or Hydr. Quick Coupler	3-Motion-Hydraulics
Drain Connections	Emergency Release System (ERS)	Vapour Return Line

EMCO WHEATON
A Gardner Denver Company

9111 Jackrabbit Road
Houston, TX 77095 – USA
Tel: (800) 324-2242
Int'l: (281) 856-1300
Fax: (281) 856-1325
Email: sales@emcowheaton.com
Web: www.emcowheaton.com