

# E2112 | VARIABLE REACH TOP LOADING ARM



The Emco Wheaton range of Standard Loading Arms can be customized to your specific needs simply by quoting the appropriate listed parts numbers when ordering. We have created the 'standard range' to bypass specific Engineering approval through the use of standard drawings and specifications. Customers don't need to 'sign-off' on an approval drawing and orders, we can simply pass your orders to our production team.

Each range of arms is also available as a configured option. Optional customized units are available where alternate materials of construction or specific added features are required.

The E2112 Variable Reach Loader is designed specifically for:

- Multiple compartment tank trucks and railroad tank cars.
- Allows for some flexibility in spotting for multiple compartment tank trucks and rail cars.

## Materials and Standard Equipment

- The standard unit features a combination of carbon steel and aluminum Schedule 40 material
- Standard available seal materials are Nitrile (Buna) or Viton.
- Standard in nominal pipe diameters of 3 (76mm) and 4 (102mm) inches.
- Base swivel assembly features the incomparable Emco Wheaton D2000 series swivel joints with hardened ball bearing raceways, H-Block sealing system supplied with standard grease Mobil Lux Ep-2 - isolating raceways from liquid contact - and easy infrequent service requirements that will reduce the lifecycle cost of your loading system.
- Balanced using the Emco Wheaton "easy-to-adjust" spring cylinder system - which enhances operator safety and reduces the space required to operate the arm.
- Schedule 10 Aluminum standard length drop tube and 45° mitred opening included.
- As an option, the standard is available complete with E471 Loading valve, E0062-017 remote control and E0064-008 vacuum breaker (model shown in image at left).

## Specifications

- Emco Wheaton standard paint system Amerlock 400 Resin - Standard gray.
- Standard welding per ASME B31.3 specification and per Emco Wheaton welding specification ES-8.
- Standard air test 5-80 psi conforming to Emco Wheaton procedure.
- Standard range of motion is 75°: 55° (park position) to -20° (load position).
- Standard arm lengths are as noted.
- Pressure drop and flow rate calculations available upon request.
- Depending on your rack design and piping configurations, Emco Wheaton Standard E2112 loading arms can be supplied with the following based swivel joint options:
  - A right-hand or left-hand design (see accompanying images);
  - Up Feed configuration.
- Standard Emco Wheaton / Gardner Denver Commercial Terms and Conditions and Warranties apply to all orders (Complete text available upon request).

[www.emcowheaton.com](http://www.emcowheaton.com)

Emco Wheaton USA  
9111 Jackrabbit Road • Houston • Texas  
77095 • USA  
Phone 281 856 1300 | Fax 281 856 1325

[assist@emcowheaton.com](mailto:assist@emcowheaton.com)



Emco Wheaton Corp.  
2390 South Service Road West • Oakville • Ontario  
L6L 5M9 • Canada  
Phone 905 8298619 | Fax 905 829 8620

Configure your part number as shown. E 2 1 1 2 - 4 C V U L 8 4 N

MODEL #	DIAMETER (INCHES)	CONSTRUCTION MATERIAL	SEAL MATERIAL	PRIMARY FEED	ORIENTATION	"A" DIMENSION NOMINAL (INCHES)	
E2112	3-inch (101.6mm) 4-inch (76mm)	C = Carbon Steel	V = Viton B = Buna	U = Up Feed	L = Left Hand R = Right Hand	84" (2134mm)	N = Without E471 loading valve and remote option V = With E471 loading valve and remote option

E2112: Available as standards without E471 loading valve and remote assembly:

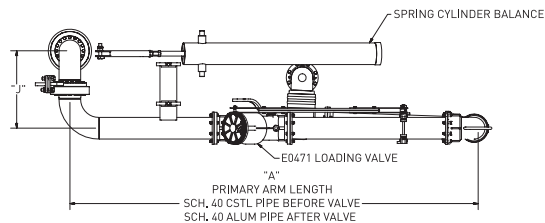
PART #	WEIGHT (LBS.)	LIST PRICE (US FUNDS)
E2112-4CVUL84N	249 (113kg)	\$6,700
E2112-4CVUR84N	249 (113kg)	\$6,700
E2112-4CBUL84N	249 (113kg)	\$6,700
E2112-4CBUR84N	249 (113kg)	\$6,700
E2112-3CVUL84N	199 (90kg)	\$6,062
E2112-3CVUR84N	199 (90kg)	\$6,062
E2112-3CBUL84N	199 (90kg)	\$6,062
E2112-3CBUR84N	199 (90kg)	\$6,062

E2112: Available as standards with E471 loading valve and remote assembly:

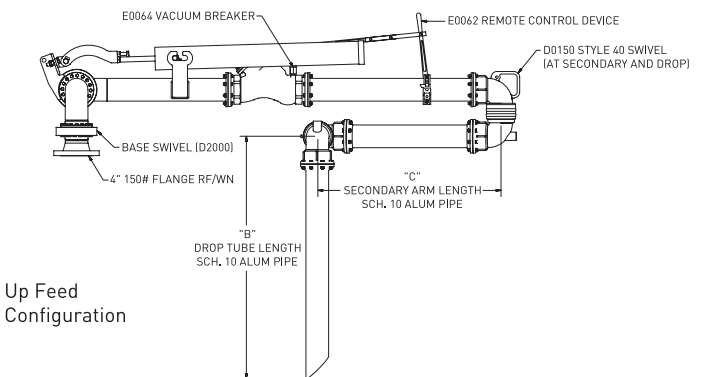
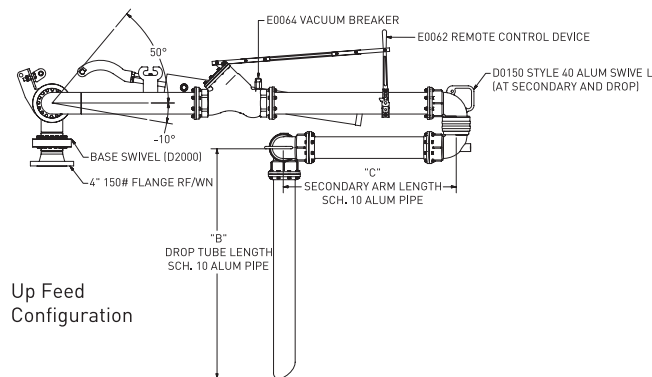
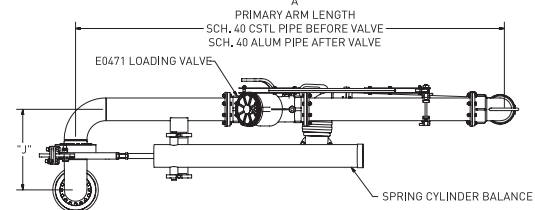
PART #	WEIGHT (LBS.)	LIST PRICE (US FUNDS)
E2112-4CVUL84V	255 (116kg)	\$8,431
E2112-4CVUR84V	255 (116kg)	\$8,431
E2112-4CBUL84V	255 (116kg)	\$8,431
E2112-4CBUR84V	255 (116kg)	\$8,431
E2112-3CVUL84V	205 (93kg)	\$7,528
E2112-3CVUR84V	205 (93kg)	\$7,528
E2112-3CBUL84V	205 (93kg)	\$7,528
E2112-3CBUR84V	205 (93kg)	\$7,528

Nominal Dimensions: A = 84" (2134mm), B = 48" (1219mm), C=36" (914mm), Weight = 255 lbs (116kg)

Right Hand Orientation



Left Hand Orientation



As a part of a continuous commitment to product development the company reserves the right to alter the specification of its products without prior notice.